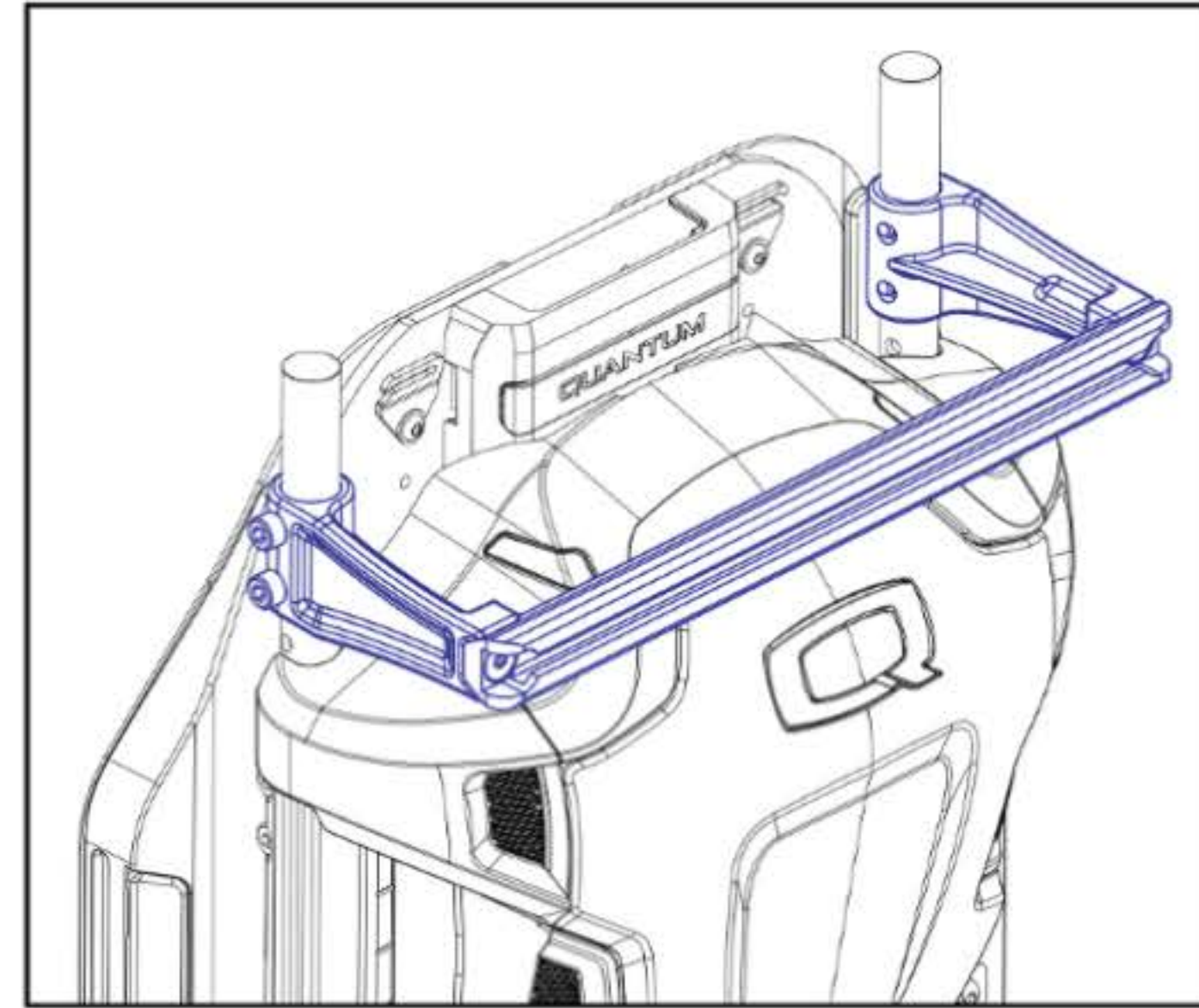
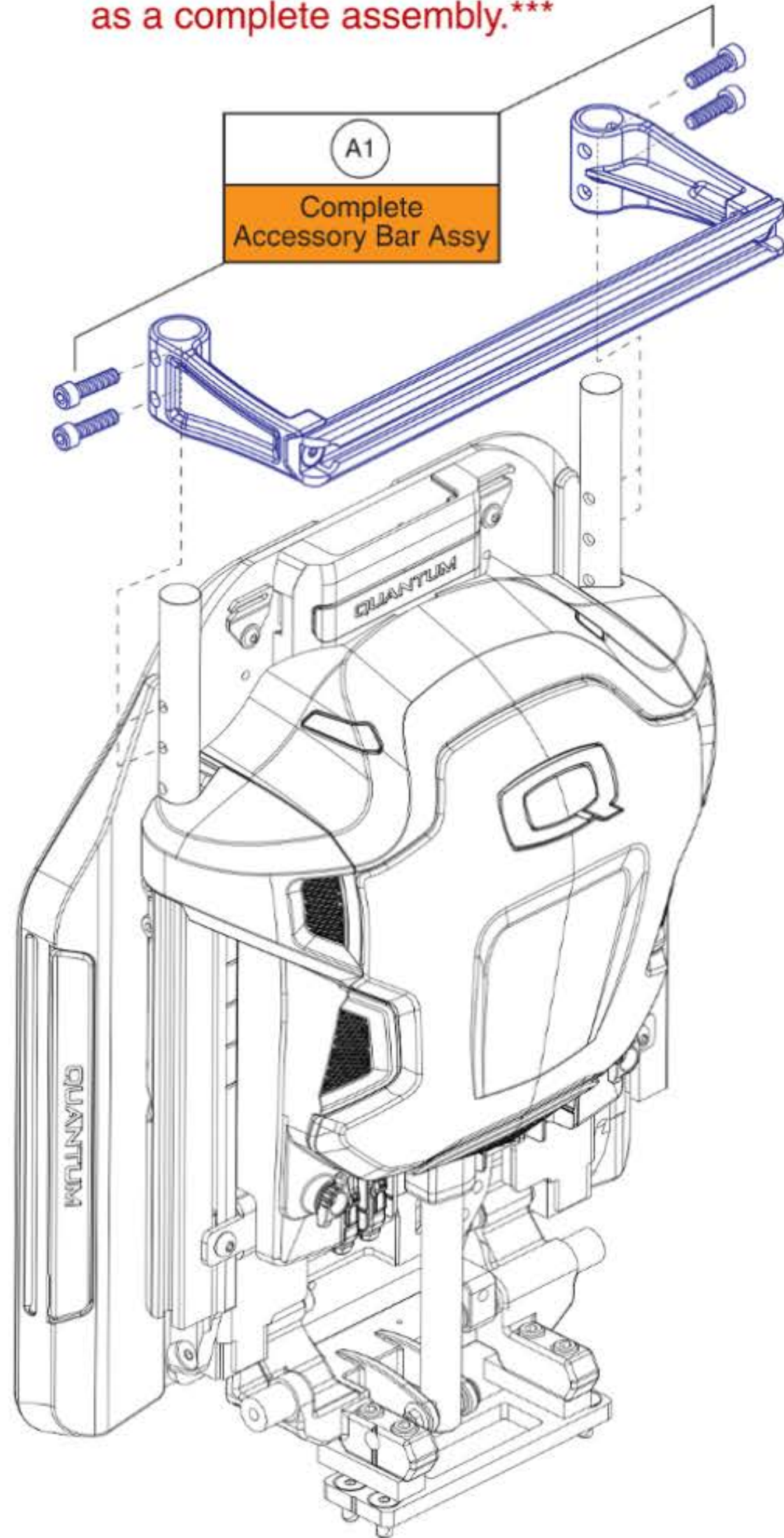


The Accessory Bar is only available as a complete assembly.



Notes:

- The Redesigned Accessory Bar can mount to the original style TB3 back and to the redesigned style TB3 back.
- The Redesigned Accessory Bar replaces the previous version.

