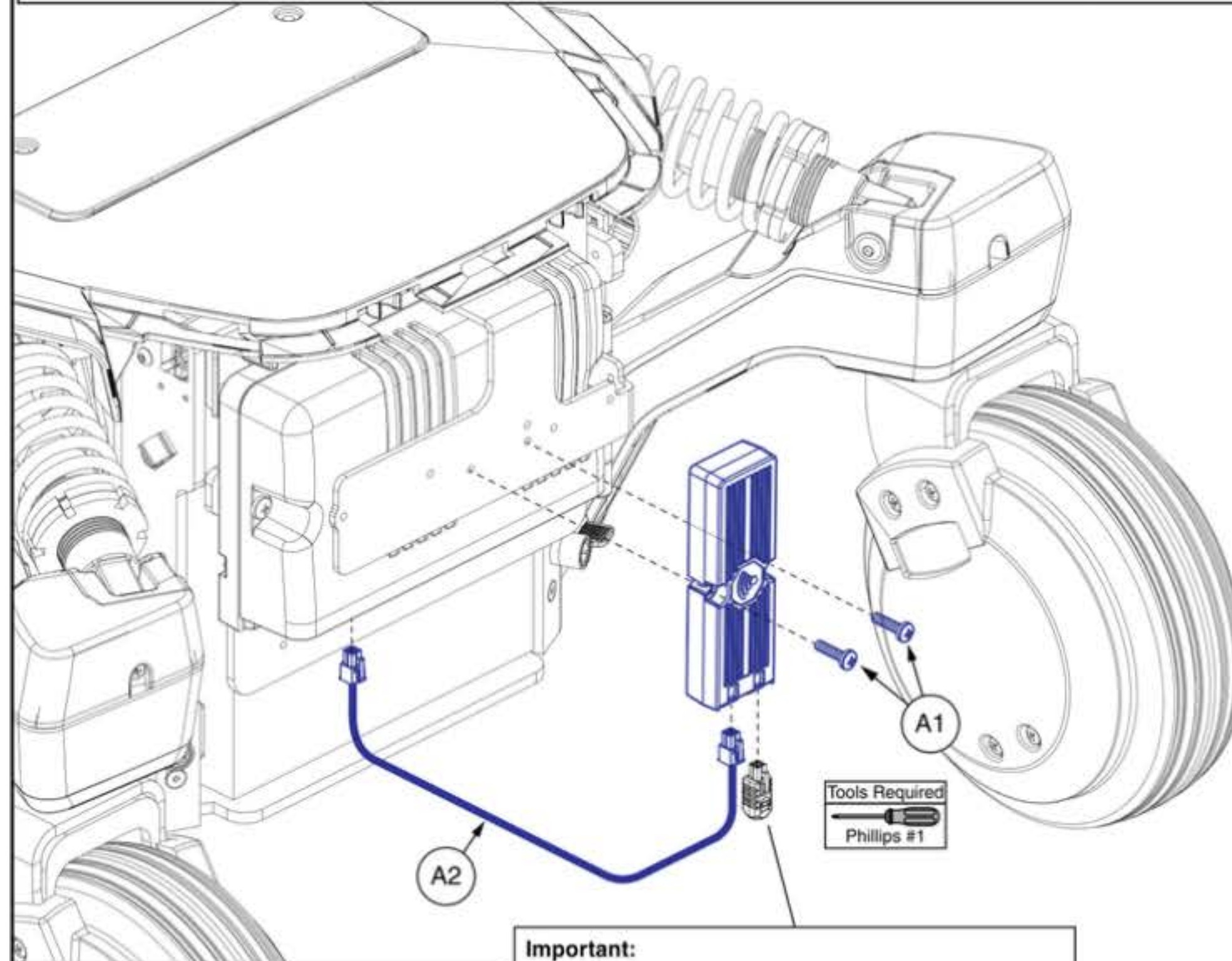


IMPORTANT:

- When ordering the **Complete Remote Stop Switch Assembly, (A1, A2, A3, and B1a)** **MUST** be ordered. The **Complete Assembly** is not available as a kit at this time, so the parts **Must** be ordered individually.
- When ordering replacement **Keyfobs (A4)**, the new **Keyfob** will need to be paired with the **Remote Stop Module**. It is recommended to order an **Owner's Manual** with the **Keyfob**, since the **Owner's Manual** covers pairing instructions and proper operation.
- When ordering a **Replacement Keyfob with Module (A3)**, the keyfob will come paired with the module.
- The **Remote Stop Switch** cannot be used with the **PTO Version of the Quantum Backup Camera**. The Remote Stop Switch uses the same mounting bracket as the Backup Camera and they cannot mount together.
- If equipped with the **BUS** version of the **Backup Camera**, the **Remote Stop Switch** can be added.

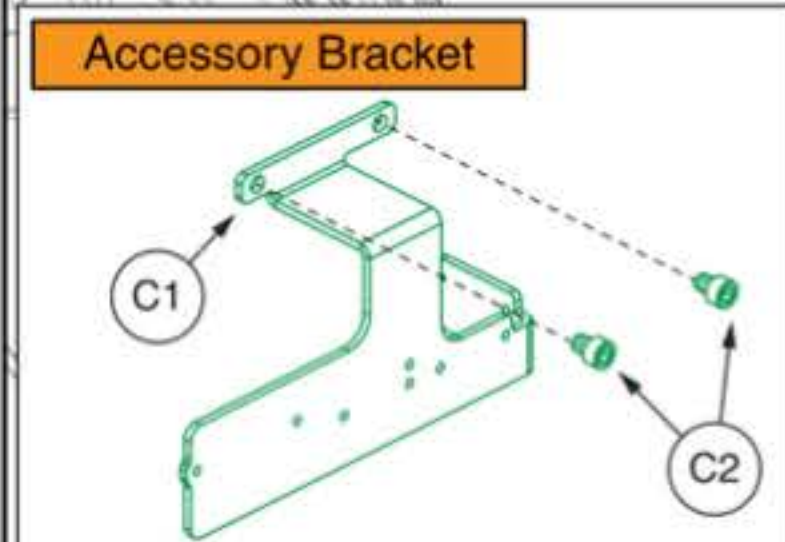


Manuals	
(B1a)	English Owner's
(B1b)	French Owner's
Must be selected separately	

Replacement Keyfob

Included with (A3)

Replacement Keyfob with Module



- Important:**
- The **Run Plug** configuration is shown.
 - If the unit is equipped with a **PTO harness**, the **Run Plug or Inhibit Assembly** will be removed from the **PTO harness** and connected to the **QRS module**. **Harness (A2)** will then be plugged into the **PTO harness** instead of the **Power Module**.
 - If the unit is equipped with **Accent Lights**, the **QRS module** will connect to the **Accent Light Module** with the 4-pin harness provided with the **Accent Lights**.
 - See the **Complete Base Electronics** pages for configuration details.

