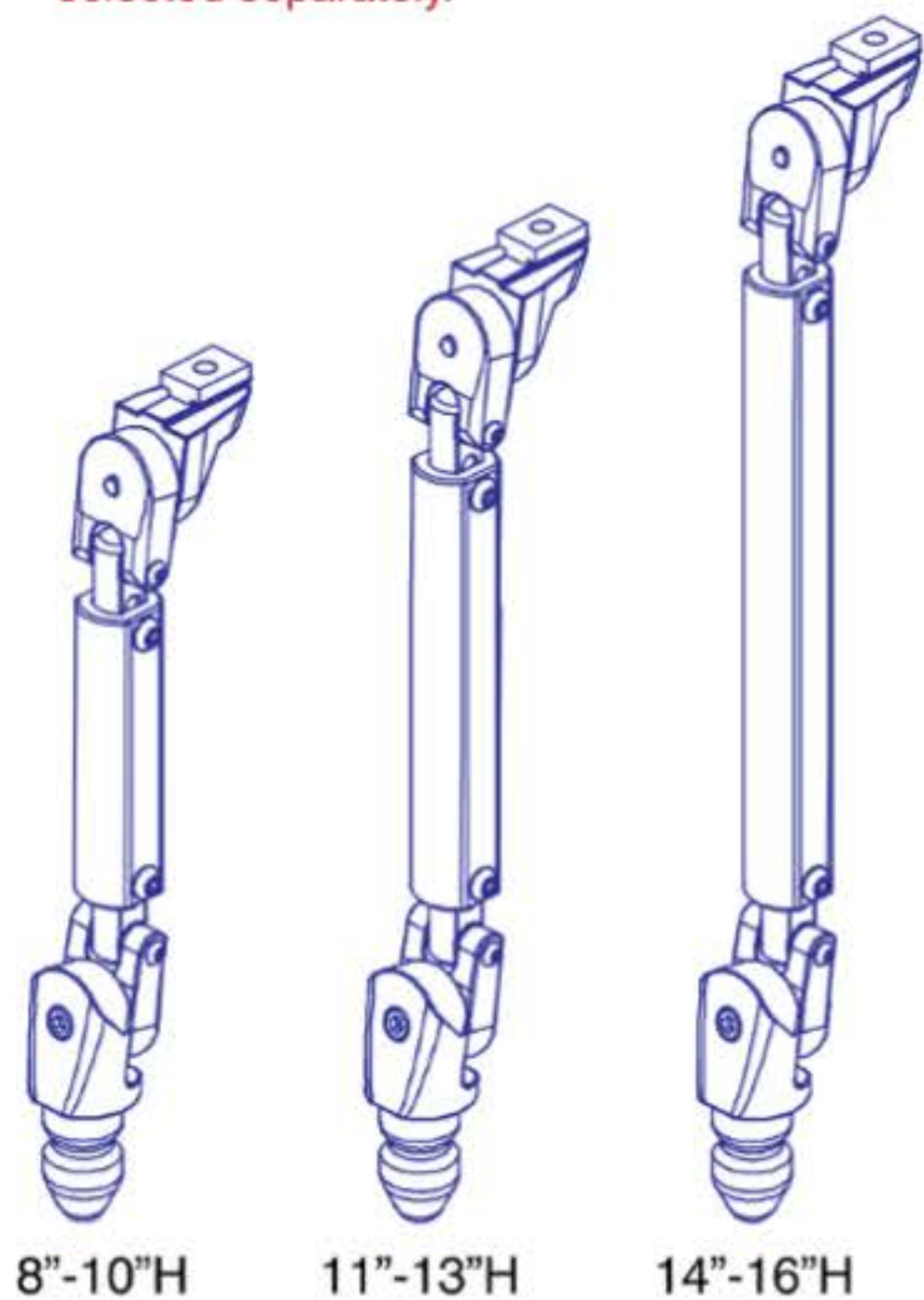


### Downpost Assemblies

Height	Left	Right
8" – 10"H	A1a	A1b
11" – 13"H	B1a	B1b
14" – 16"H	C1a	C1b

- The Receiver Blocks are **not** included with the complete assemblies and must be selected separately.

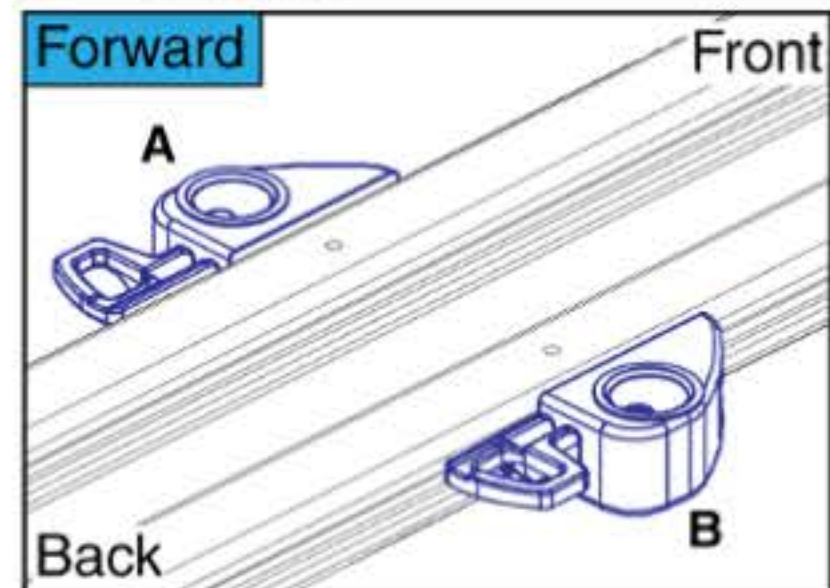
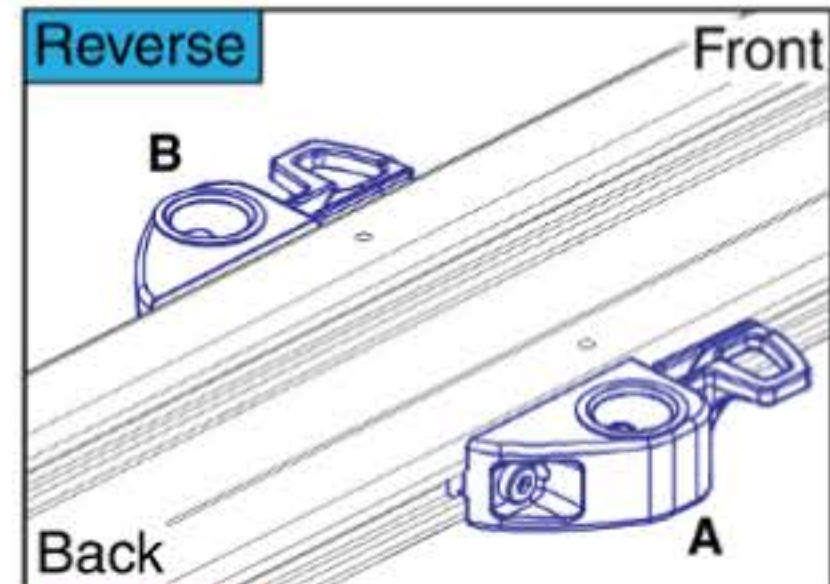


### Receiver Blocks

Receiver		Armpad Size		
Ref #	A / B	10"	14"	17"
D1a	A	Right	Left	Left
D1b	B	Left	Right	Right

- The receiver block selection and orientation is dependent on the size of the armpads that are equipped.
- 10" Armpads use the **Reverse** orientation, where Receiver A mounts on the right and Receiver B mounts on the left.
- 14" & 17" Armpads use the **Forward** orientation, where Receiver A mounts on the left and Receiver B mounts on the right.

Contact Technical Service for additional information



### Serviceable Components

