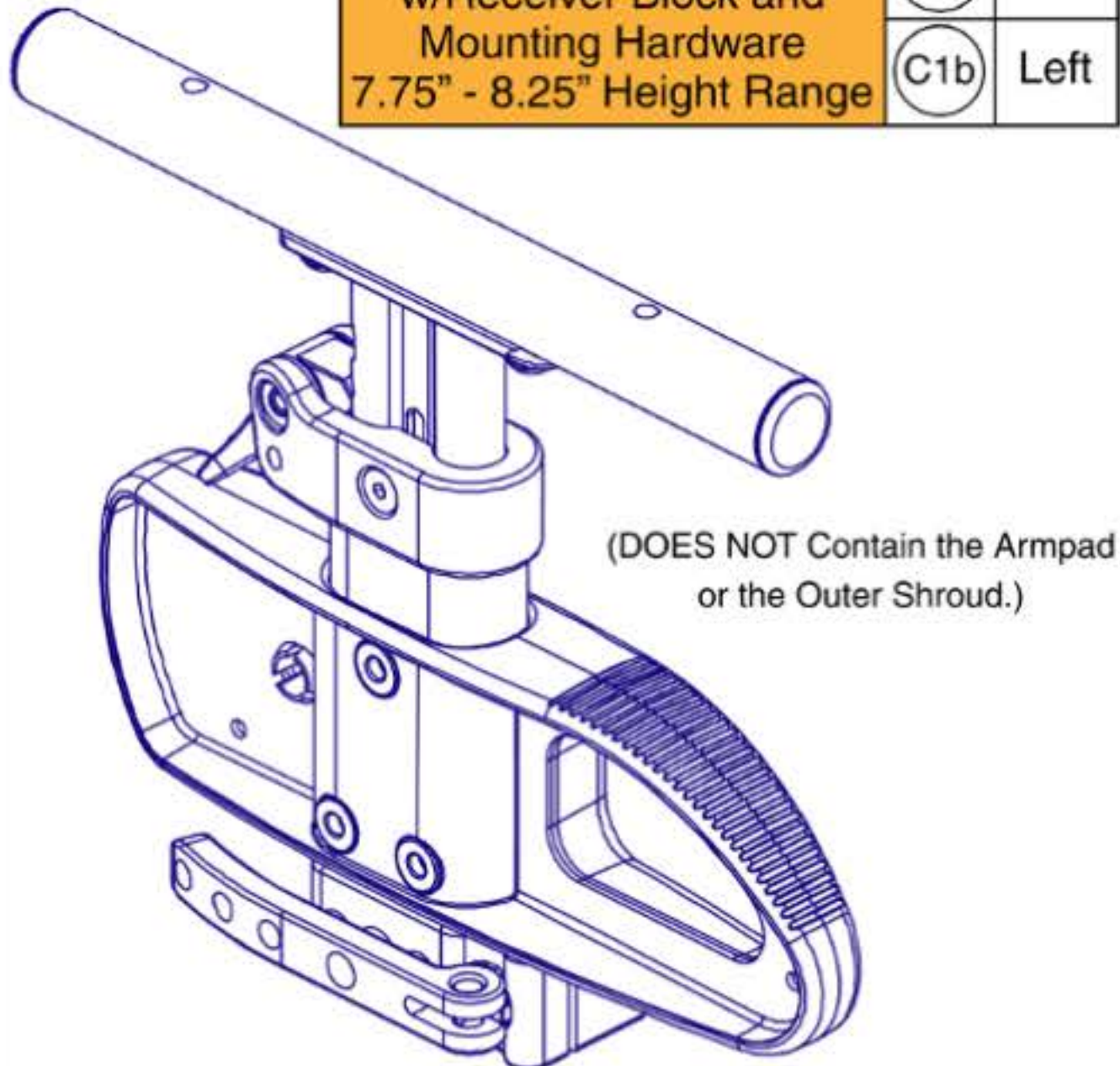
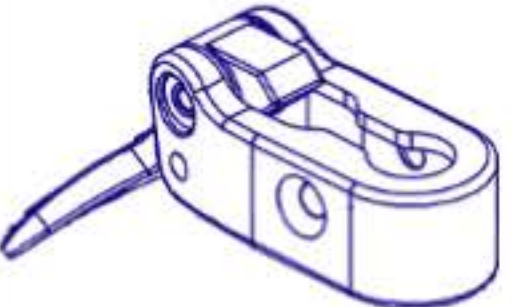
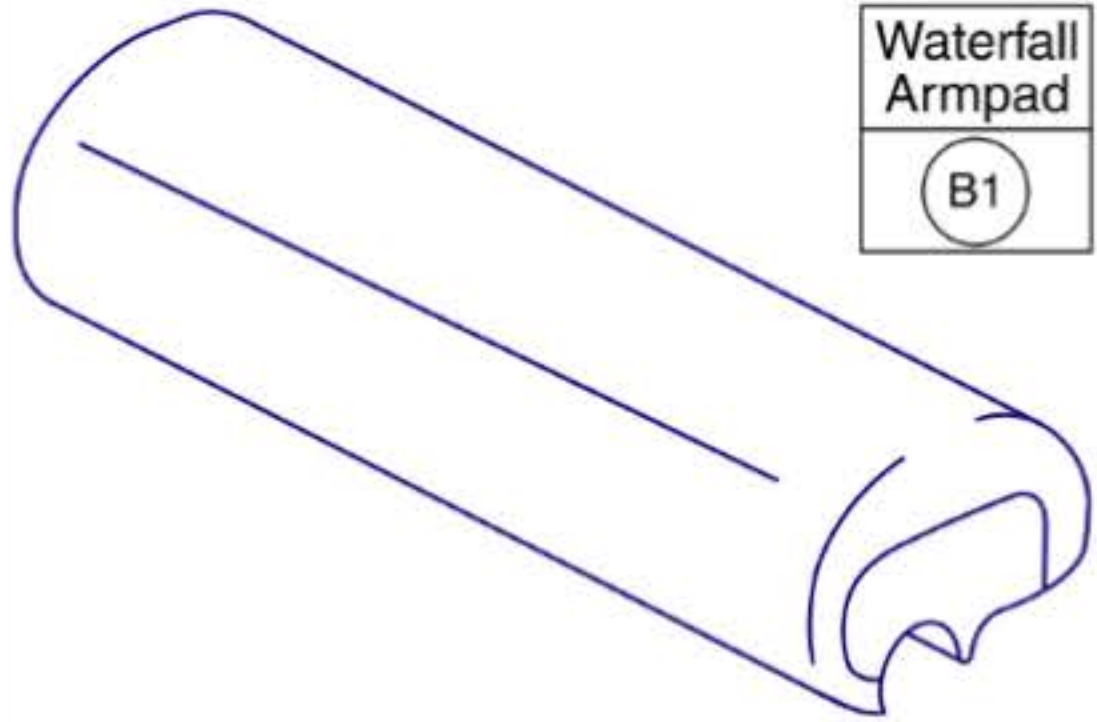


Only Serviceable Components Contain Callouts

 <p style="text-align: center;">(DOES NOT contain the Armpad or the Outer Shroud.)</p>	<table border="1" style="border-collapse: collapse;"> <tr> <td style="background-color: #f4a460;">Complete Armrest Assy w/Receiver Block and Mounting Hardware 7.75" - 8.25" Height Range</td> <td style="text-align: center;">C1a</td> <td style="text-align: center;">Right</td> </tr> <tr> <td></td> <td style="text-align: center;">C1b</td> <td style="text-align: center;">Left</td> </tr> </table>	Complete Armrest Assy w/Receiver Block and Mounting Hardware 7.75" - 8.25" Height Range	C1a	Right		C1b	Left
	Complete Armrest Assy w/Receiver Block and Mounting Hardware 7.75" - 8.25" Height Range	C1a	Right				
	C1b	Left					

	<table border="1" style="border-collapse: collapse;"> <tr> <td style="background-color: #f4a460;">Quad Release Lever</td> <td style="text-align: center;">J1a</td> <td style="text-align: center;">Right</td> </tr> <tr> <td></td> <td style="text-align: center;">J1b</td> <td style="text-align: center;">Left</td> </tr> </table>	Quad Release Lever	J1a	Right		J1b	Left
	Quad Release Lever	J1a	Right				
	J1b	Left					

	<table border="1" style="border-collapse: collapse;"> <tr> <td style="background-color: #f4a460;">Waterfall Armpad</td> </tr> <tr> <td style="text-align: center;">B1</td> </tr> </table>	Waterfall Armpad	B1
Waterfall Armpad			
B1			

