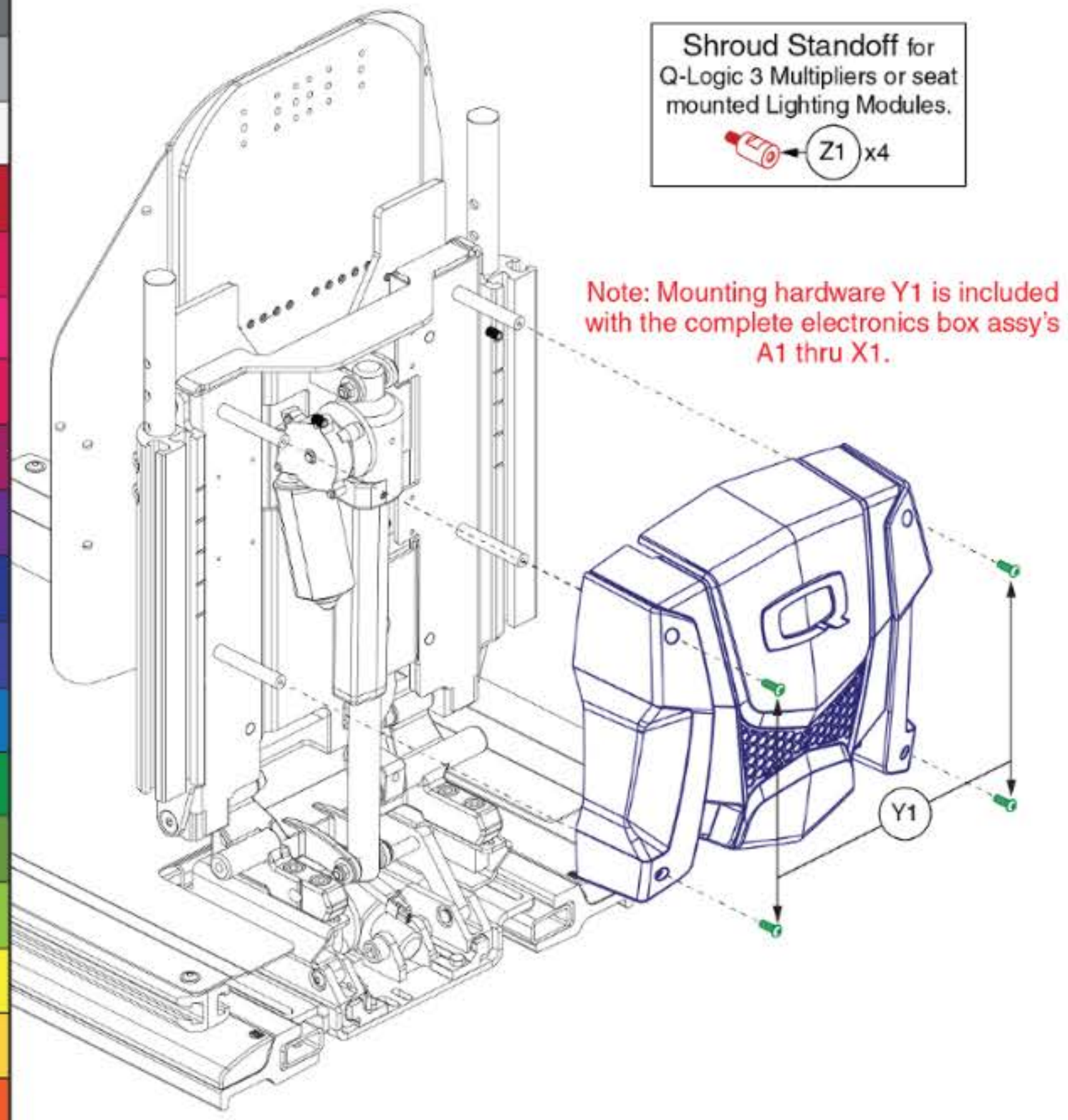



TB3 Electronics Box		
Ref#	Color Name	
A1	Back in Black	
B1	Night Train	
C1	Grey Street	
D1	Silver Bullet	
E1	White Satin	
F1	Red Corvette	
G1	Cherry Bomb	
H1	Pretty in Pink	
I1	Raspberry Beret	
J1	Sugar Plum	
K1	Deep Purple	
L1	Midnight Blue	
M1	Electric Blue	
N1	Blue Jean	
O1	Green Machine	
P1	Military Green	
Q1	Lime Light	
R1	Yellow Blaze	
S1	Lemon Crush	
T1	Orange Crush	
U1	Evolution Orange	
V1	Carbon Fiber	
W1	Digital Camo	
X1	Faded Glory	



Shroud Standoff for Q-Logic 3 Multipliers or seat mounted Lighting Modules.
 Z1 x4

Note: Mounting hardware Y1 is included with the complete electronics box assy's A1 thru X1.