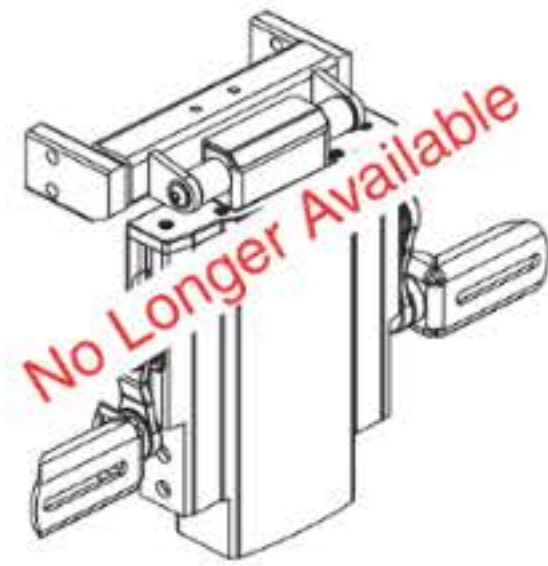
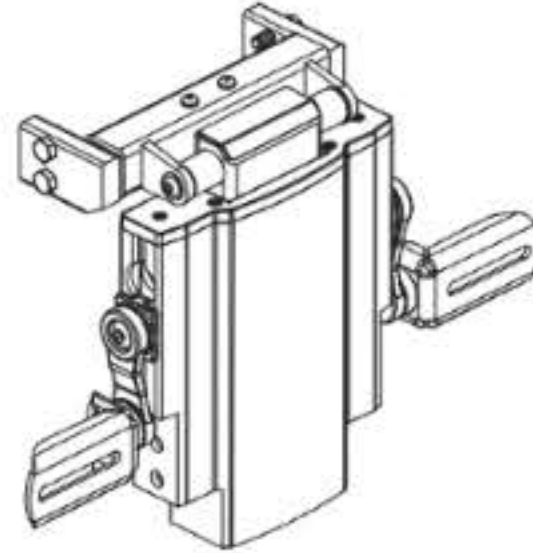


Note: The Upper assemblies DO NOT contain the Calf Pads. They must be selected separately.

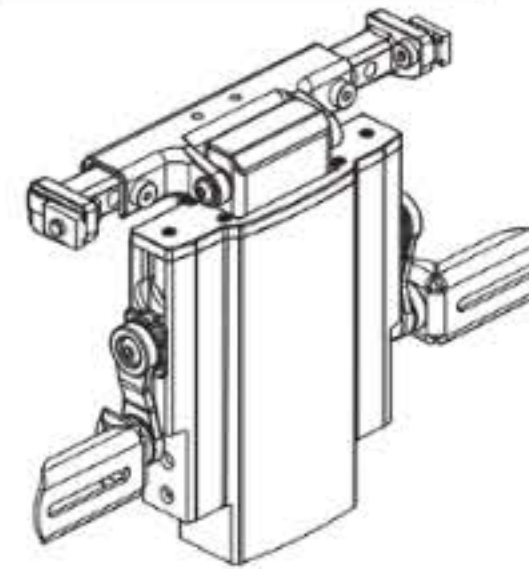
TB3 Pediatric Upper, Version 1



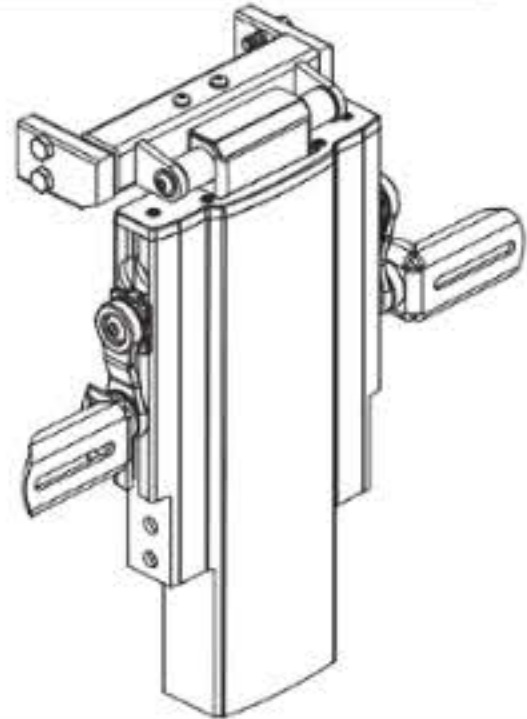
A1 TB3 Pediatric Upper, Version 2



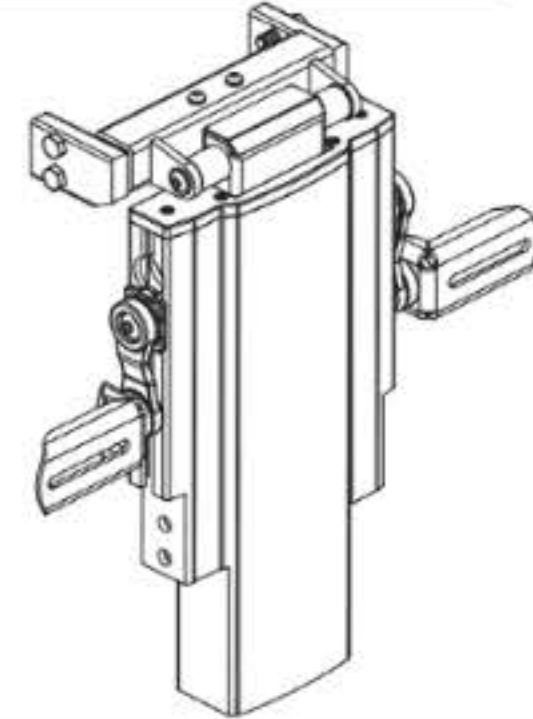
B1 12"-14"W Pediatric REAC Lift Upper, Version 2



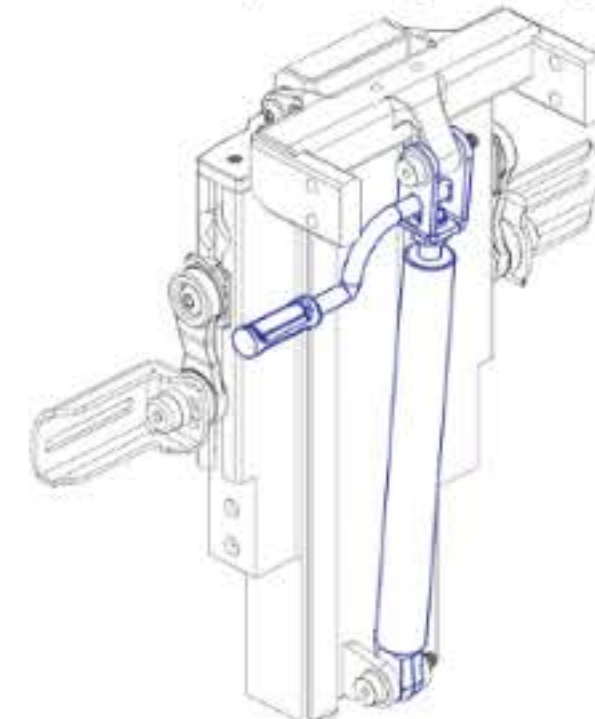
C1 TB3 Standard Upper, Version 1



D1 TB3 Standard Upper, Version 2



The Version 2 Assy's are outfitted with an adjustable gas spring.



The Assy's include the mounting hardware.

