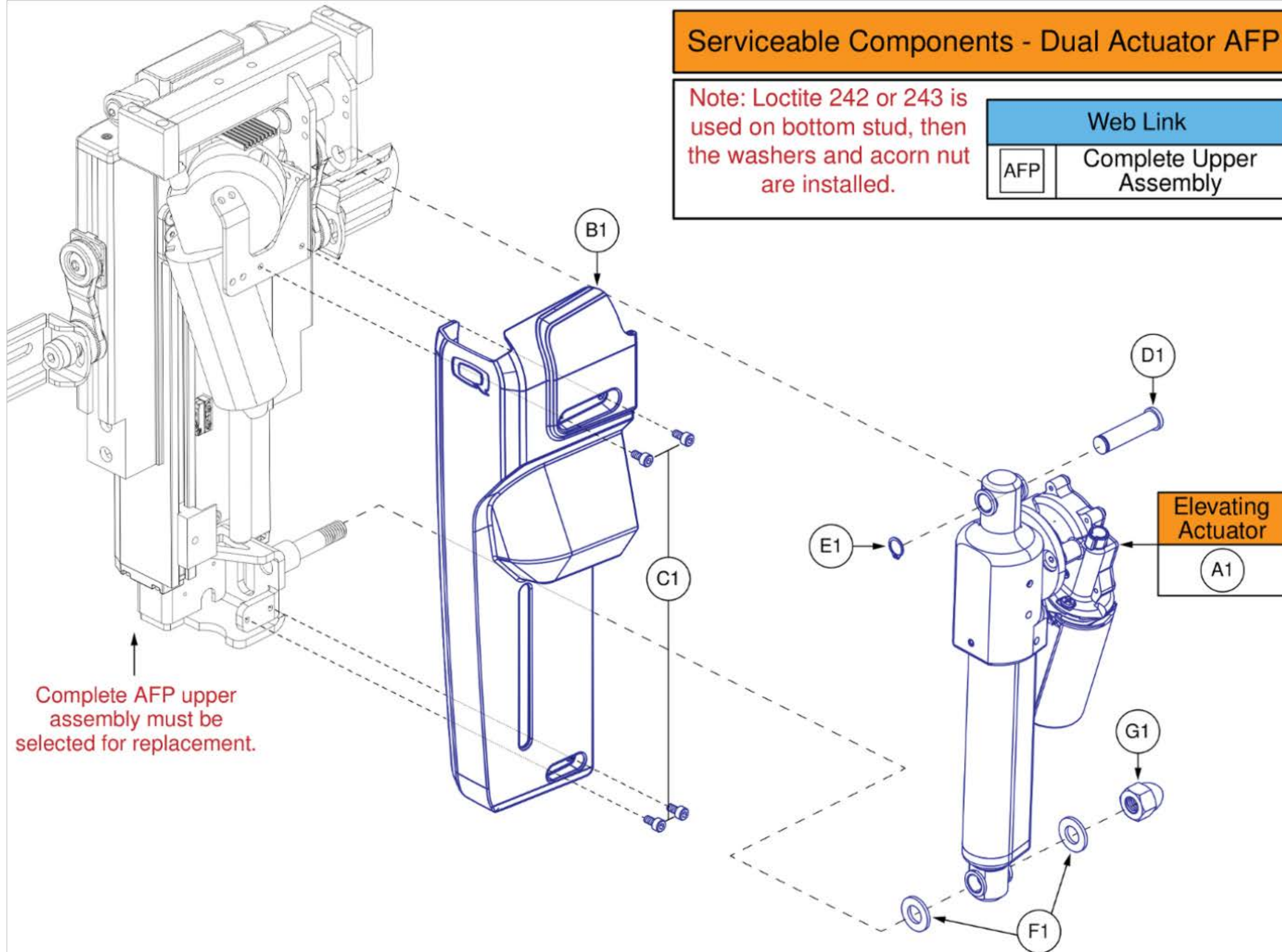


## Serviceable Components - Dual Actuator AFP

Note: Loctite 242 or 243 is used on bottom stud, then the washers and acorn nut are installed.

| Web Link |                         |
|----------|-------------------------|
| AFP      | Complete Upper Assembly |



Complete AFP upper assembly must be selected for replacement.

Elevating Actuator  
A1