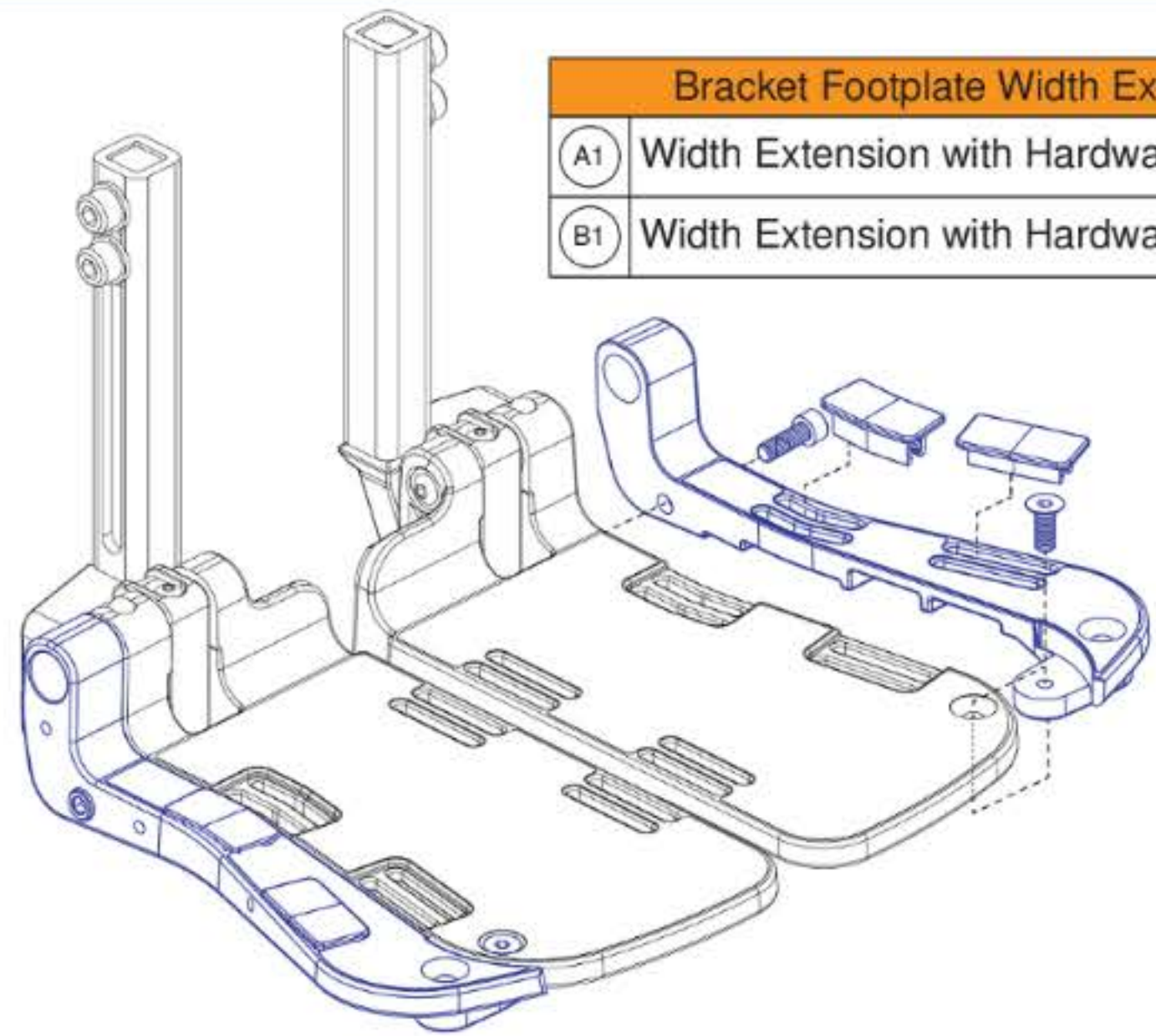


Version 4 Footplate Width Extension Pairs



Bracket Footplate Width Extension, Pair

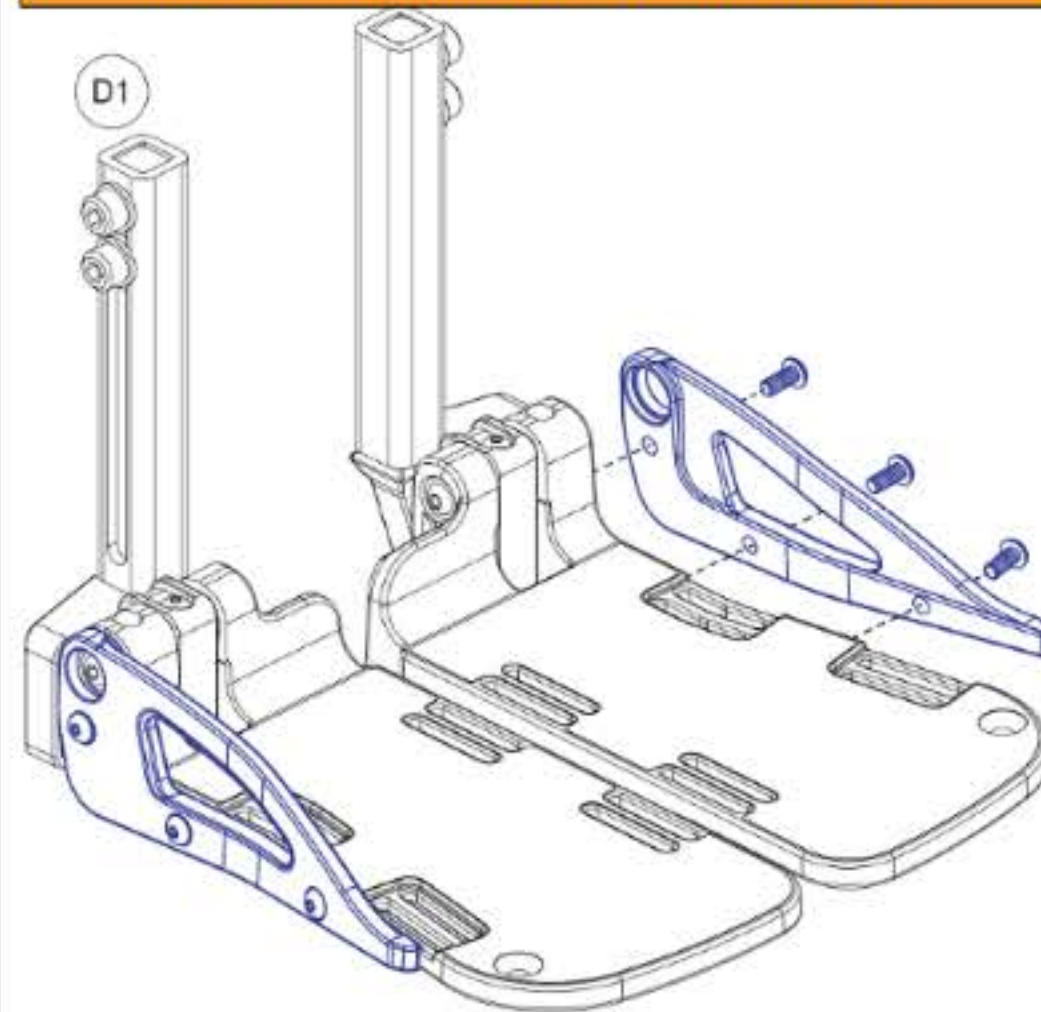
- A1 Width Extension with Hardware, for 5 x 8" Pair
- B1 Width Extension with Hardware, for 5 x 11", Pair

Additional Front and Rear Caps



Caps are included in Width Extension Assemblies, but they can be ordered as a replacement

Outside Edge Bracket Assy w/ Hardware, for 5" Footplates w/o Width Ext., Pair



Outside Edge Bracket Assy w/ Hardware, for 7" Footplates or 5" Footplates w/ Width Ext., Pair

