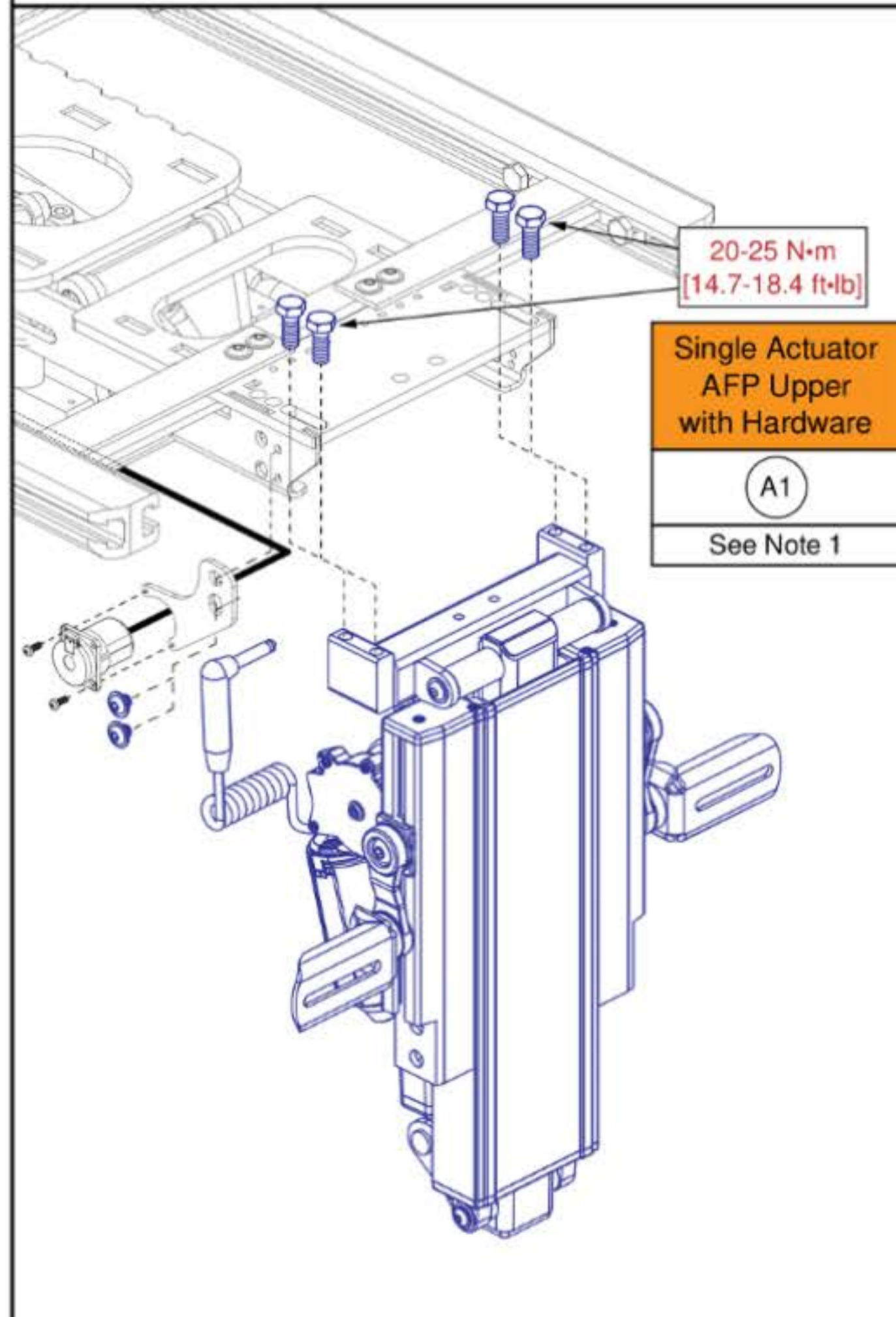
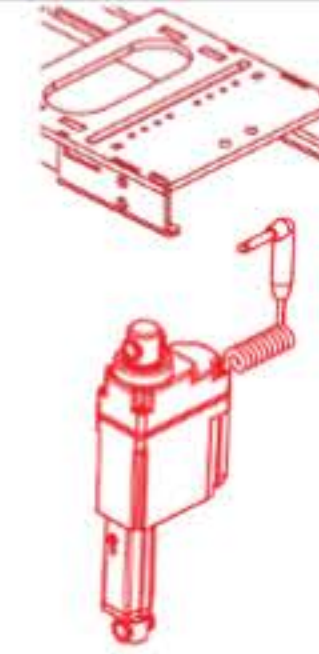


**Notes:**

1. For use on units equipped with TB3.5 Tilt or TB3 REAC Lift manufactured on or after **S/N JE721920064020** (August 6th, 2020). The depth adjustment bracket on units manufactured prior to **S/N JE721920064020** did not contain slots to mount the AFP through the top. If mounting the AFP on a unit manufactured prior to **S/N JE721920064020**, the depth adjustment bracket must be replaced with the new version.
2. Due to a product enhancement, as of **S/N JF209523107020** (April 5th, 2023) the AFP upper and actuator have been replaced with a new assembly. If the actuator (B1) needs to be replaced on an AFP manufactured prior to **S/N JF209523107020**, the complete AFP assembly (A1) must be selected. The actuator (B1) is not backwards compatible.

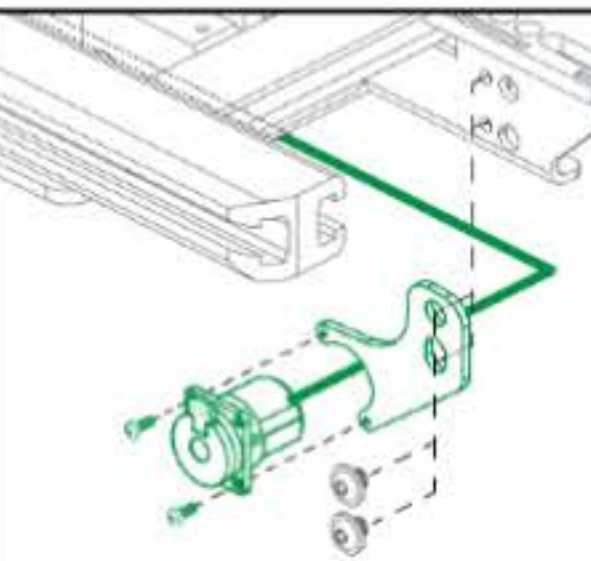
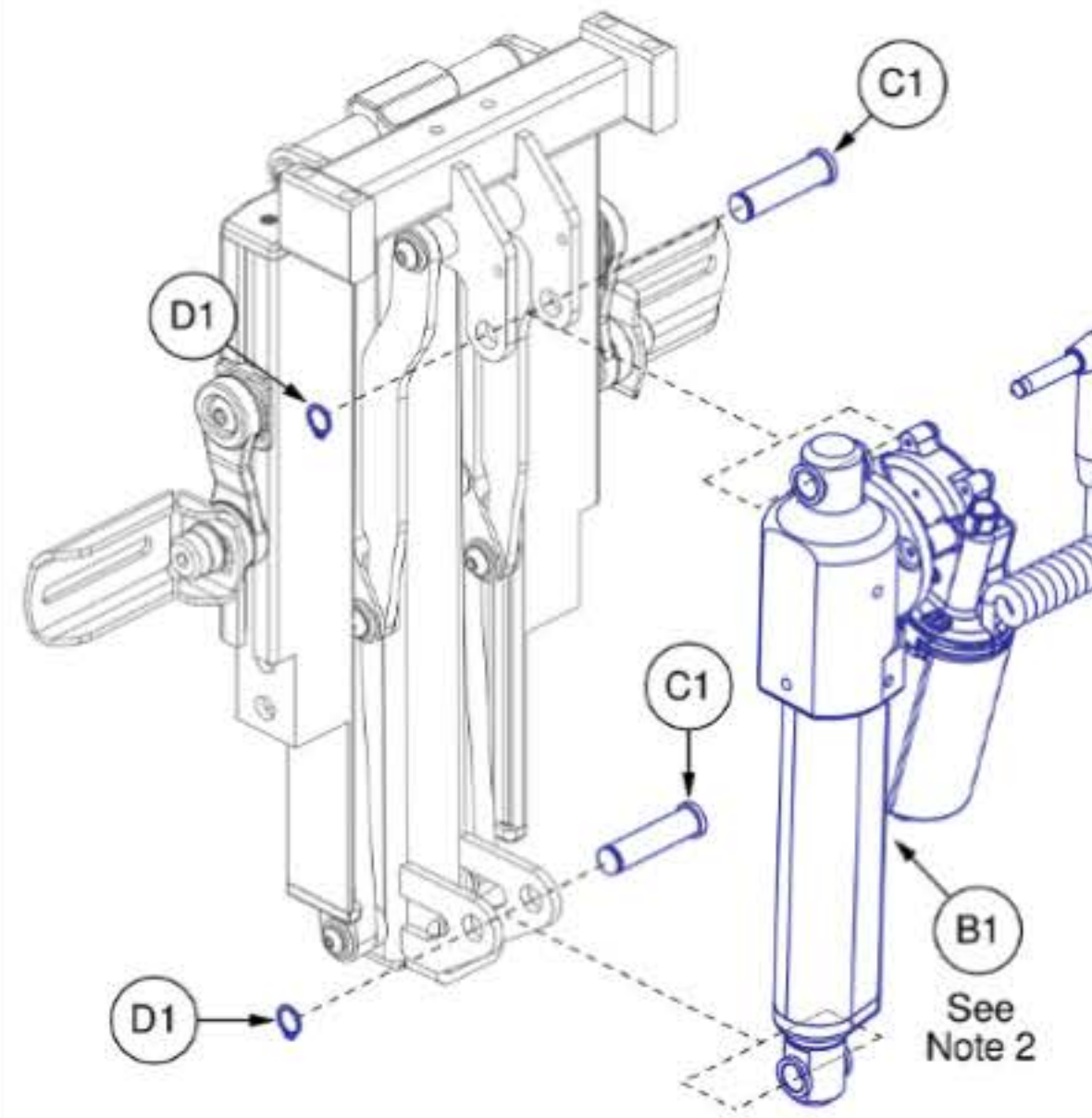


20-25 N·m  
[14.7-18.4 ft·lb]

Single Actuator  
AFP Upper  
with Hardware

(A1)  
See Note 1

**Replacement Actuator and Mounting Hardware**



**AFP Harness & Bracket**

(E1a)	Actuator through Seating Module or QLNES Power Module without Lift
(E1b)	Actuator through QLNES Power Module with Lift