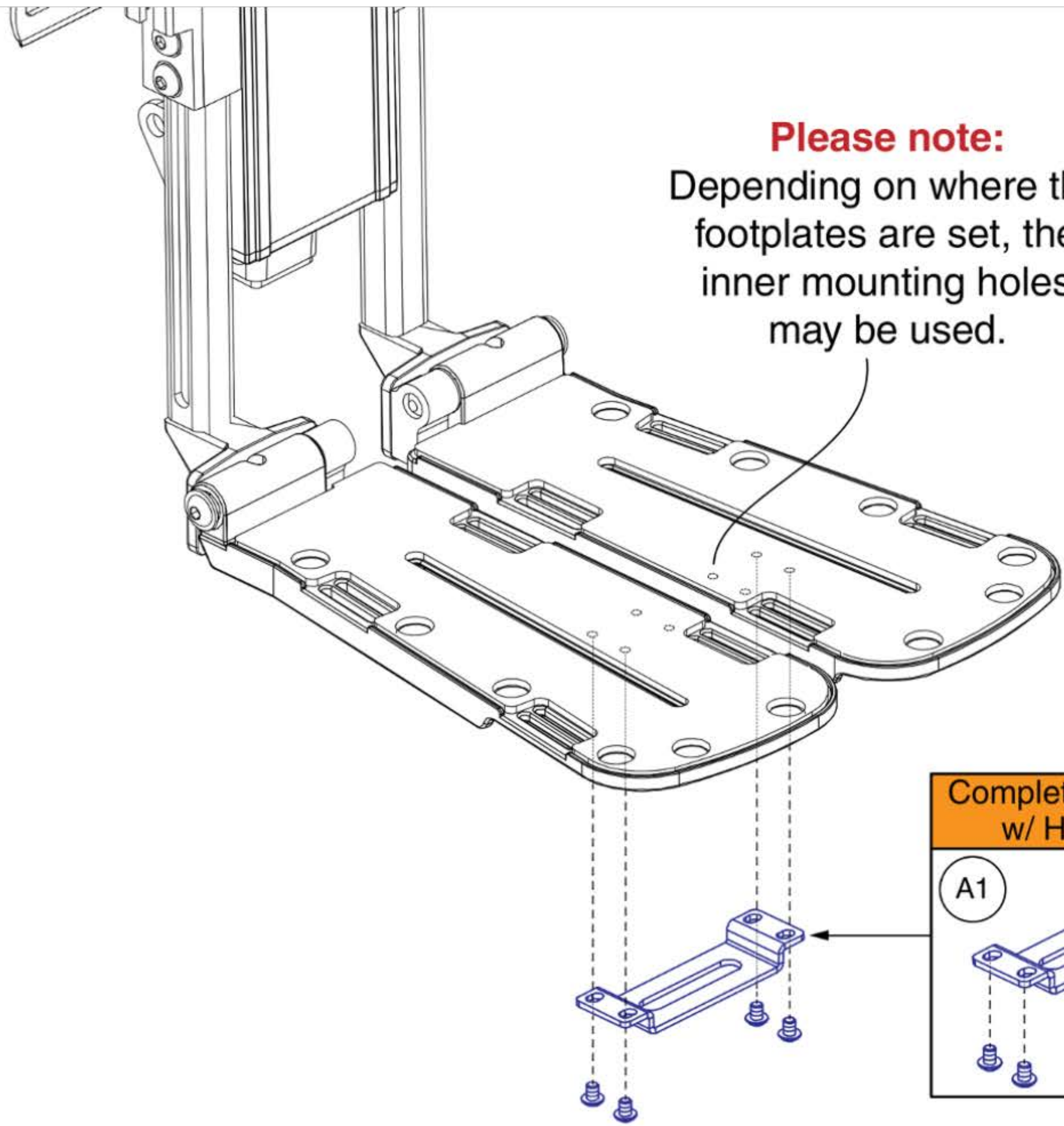


Please note:

Depending on where the footplates are set, the inner mounting holes may be used.



Complete Assembly w/ Hardware

A1

The inset diagram shows a bracket with two holes, similar to the one in the main diagram. It is shown being secured with four screws. The screws are shown in two pairs, one pair on each side of the bracket. The inset is labeled 'A1' in a circle.