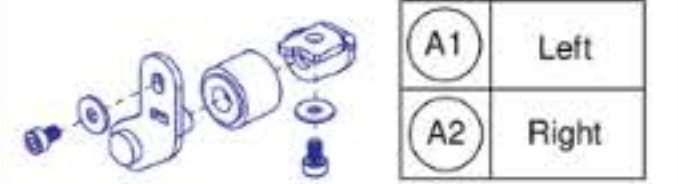


Engagement Assembly

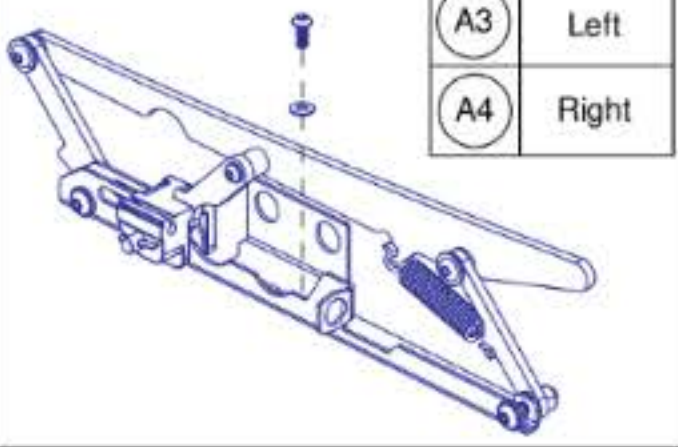


*Must order separately if the complete assembly is not ordered.
 $\tau = 0.5 - 1 \text{ N} \cdot \text{m}$
 (0.4 - 0.7 ft · lb)

Complete Assembly

A1 - A6

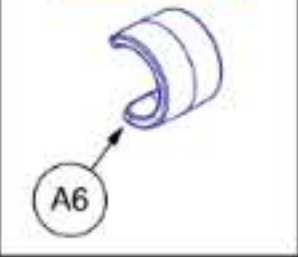
iLevel® Assembly, TRU Balance® 4



See the seat interface IPB page for mounting hardware and depth settings.

$\tau = 18 - 22 \text{ N} \cdot \text{m}$
 (13.2 - 16.2 ft · lb)

Retainer



Cable Assembly

