

### Engagement Assembly



Tools Required  
2.5 mm  $T^{(1)} = 0.5 - 1.0 \text{ N} \cdot \text{m}$   
(0.37 - 0.47 ft • lb)

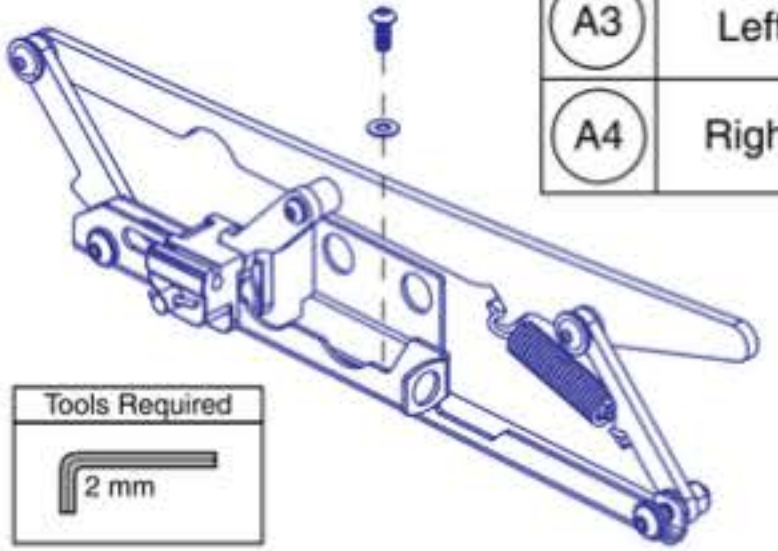
A1	Left
A2	Right

\*Must order separately if the complete assembly is not ordered.

### Complete Assembly

A1 - A8

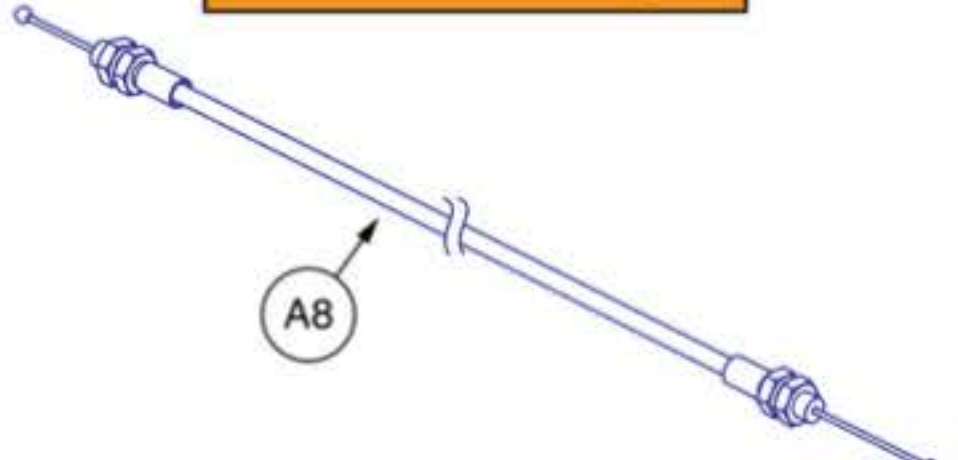
### iLevel® Assembly, TRU Balance® 4



A3	Left
A4	Right

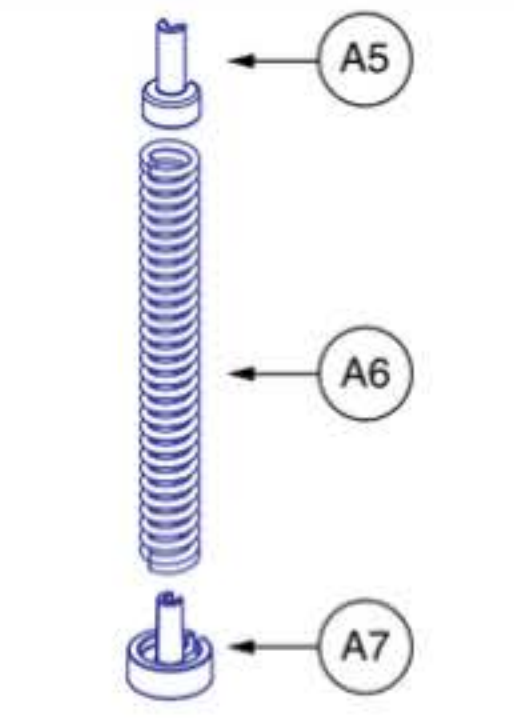
See the seat interface IPB page for mounting hardware and depth settings.

### Cable Assembly



Please note: The cable will need to be conformed to shape during installation.

### Spring Assembly



Tools Required  
1/2"

See iLevel® Base Components for Suspension Limiter assembly and selection.

