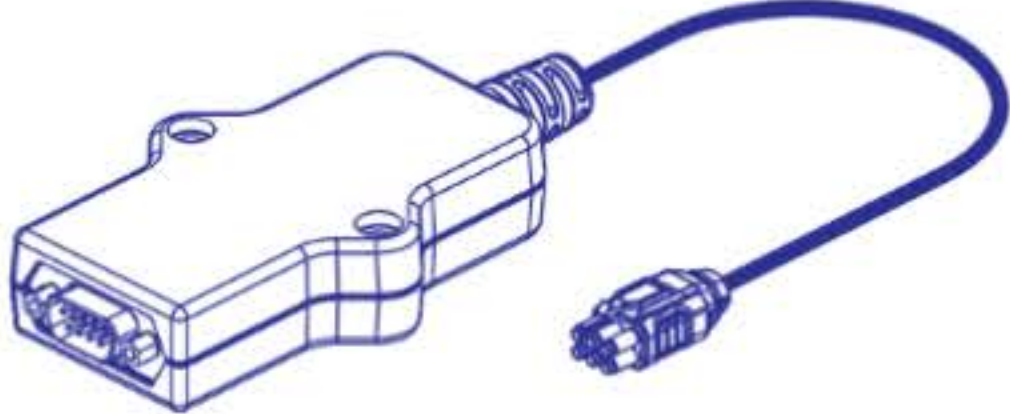
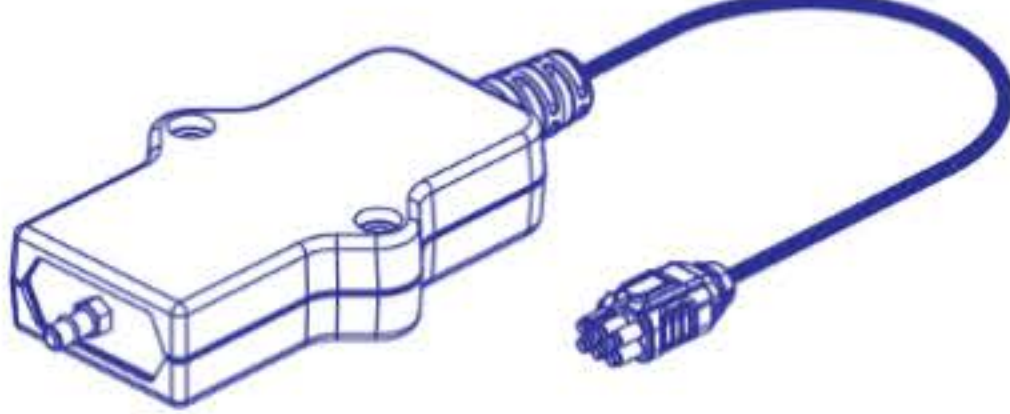
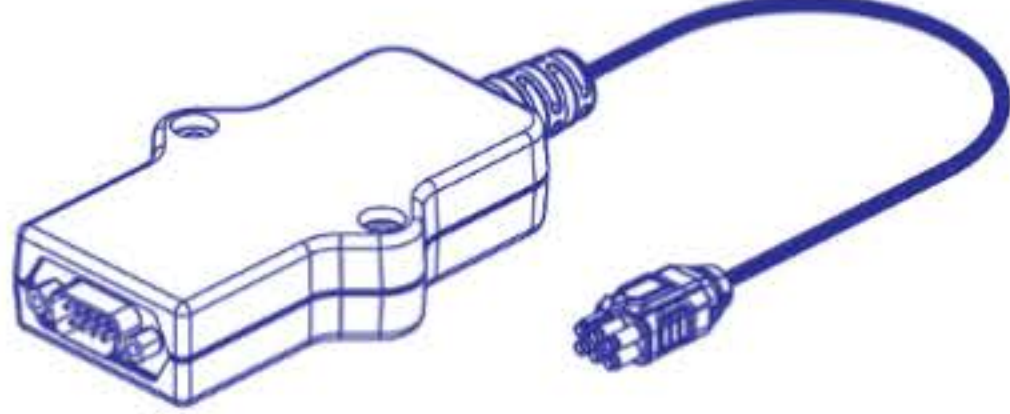


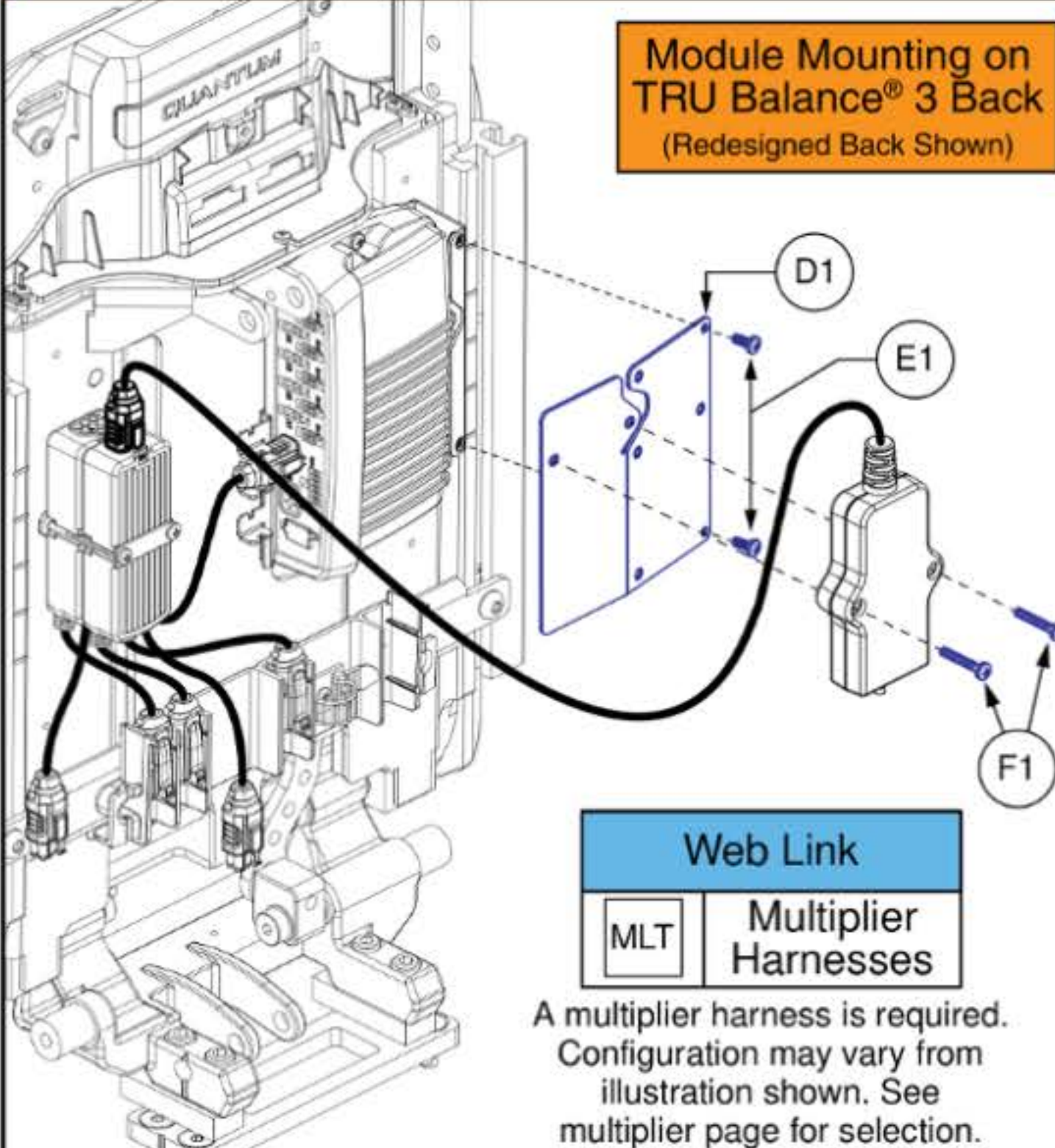
Alternative Control Modules

<div style="border: 1px solid black; padding: 2px; display: inline-block; background-color: #f4a460;"> A1 SCIM Module (Specialty Control Interface Module) </div>	<div style="border: 1px solid black; padding: 2px; display: inline-block; background-color: #f4a460;"> B1 Sip and Puff Module </div>	<div style="border: 1px solid black; padding: 2px; display: inline-block; background-color: #f4a460;"> C1 ECM Module (Environmental Control Module) </div>
		

Note: Mounting a combination of the ECM, SCIM, and Sip & Puff modules simultaneously is only available through SOF.

Alternative Control Module Mounts for TRU Balance® 3 & 4 Seating System

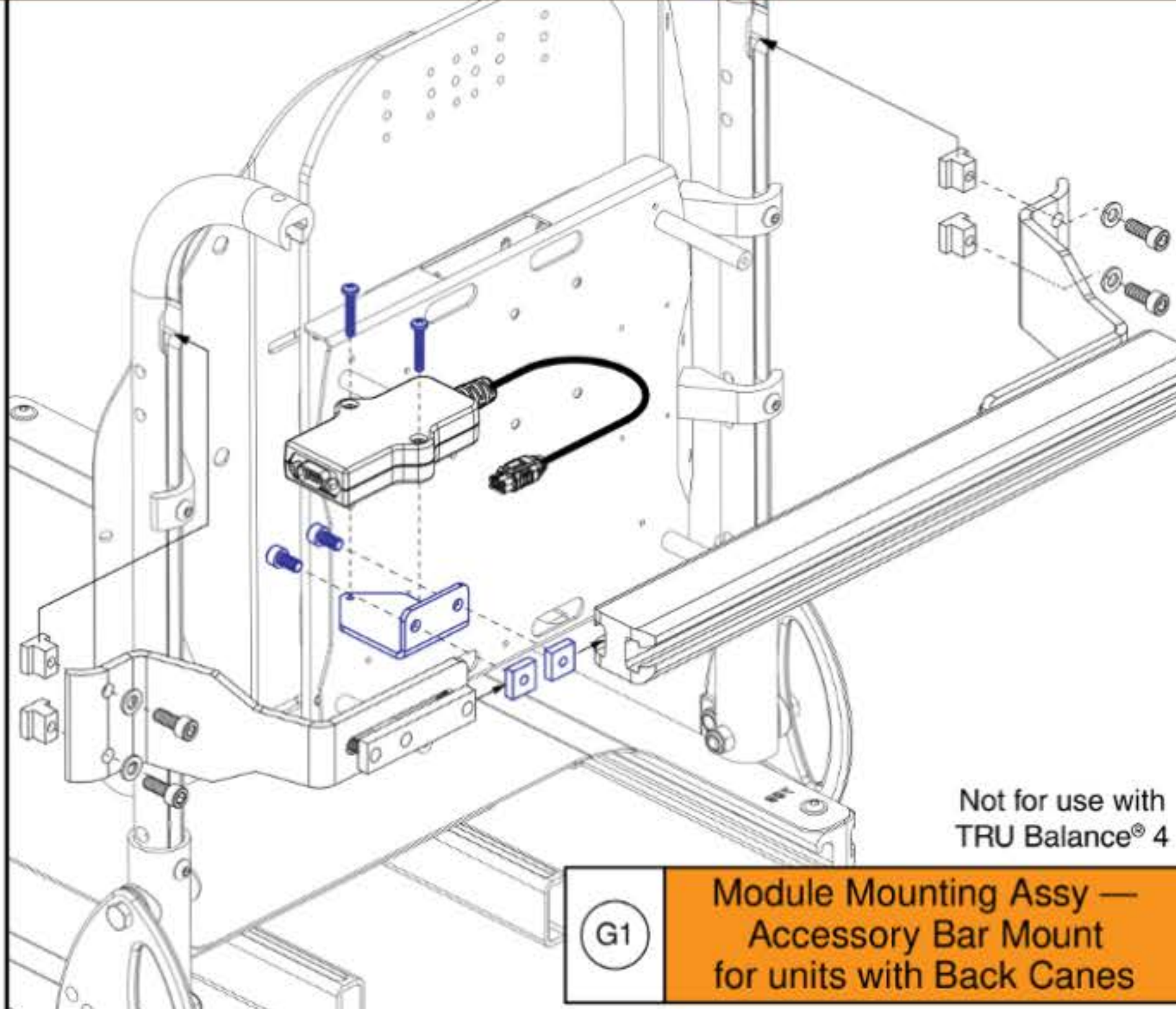
Module Mounting on TRU Balance® 3 Back
(Redesigned Back Shown)



Web Link

MLT	Multiplier Harnesses
-----	----------------------

A multiplier harness is required. Configuration may vary from illustration shown. See multiplier page for selection.



G1 Module Mounting Assy —
Accessory Bar Mount
for units with Back Canes

Not for use with TRU Balance® 4