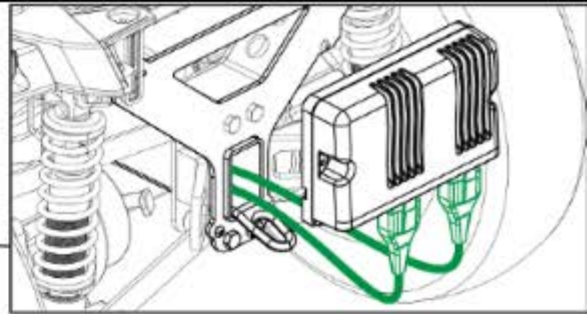
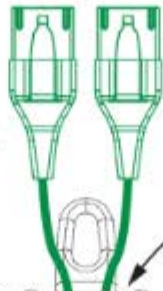


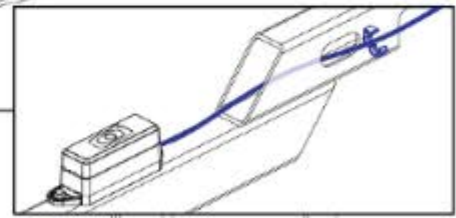
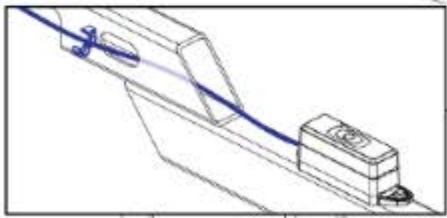
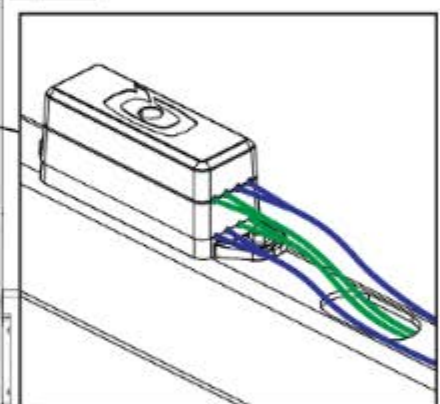
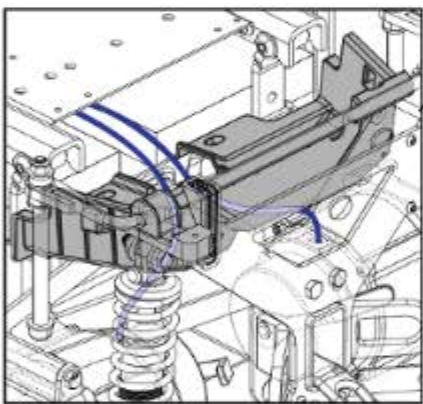
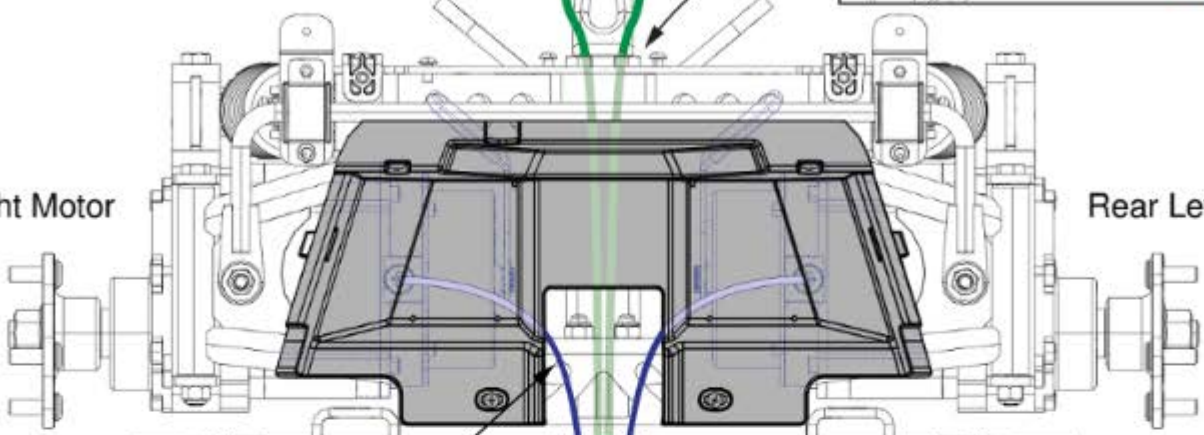
To Power Module

Motor Harness



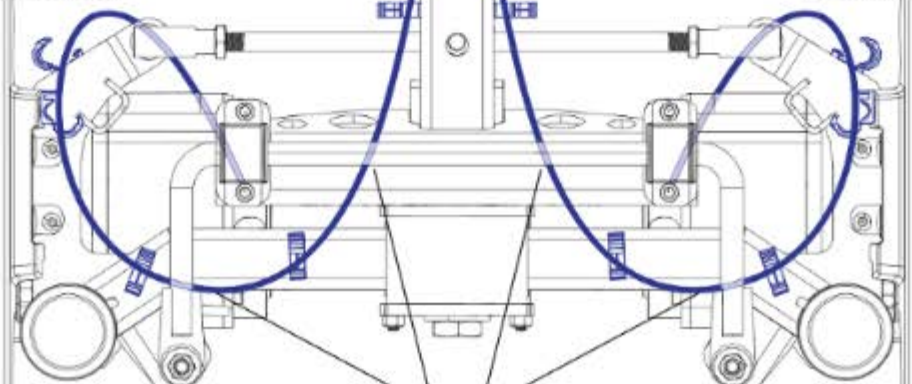
Rear Right Motor

Rear Left Motor



Front Right Motor

Front Left Motor



The front motor wires go under the tie rod.