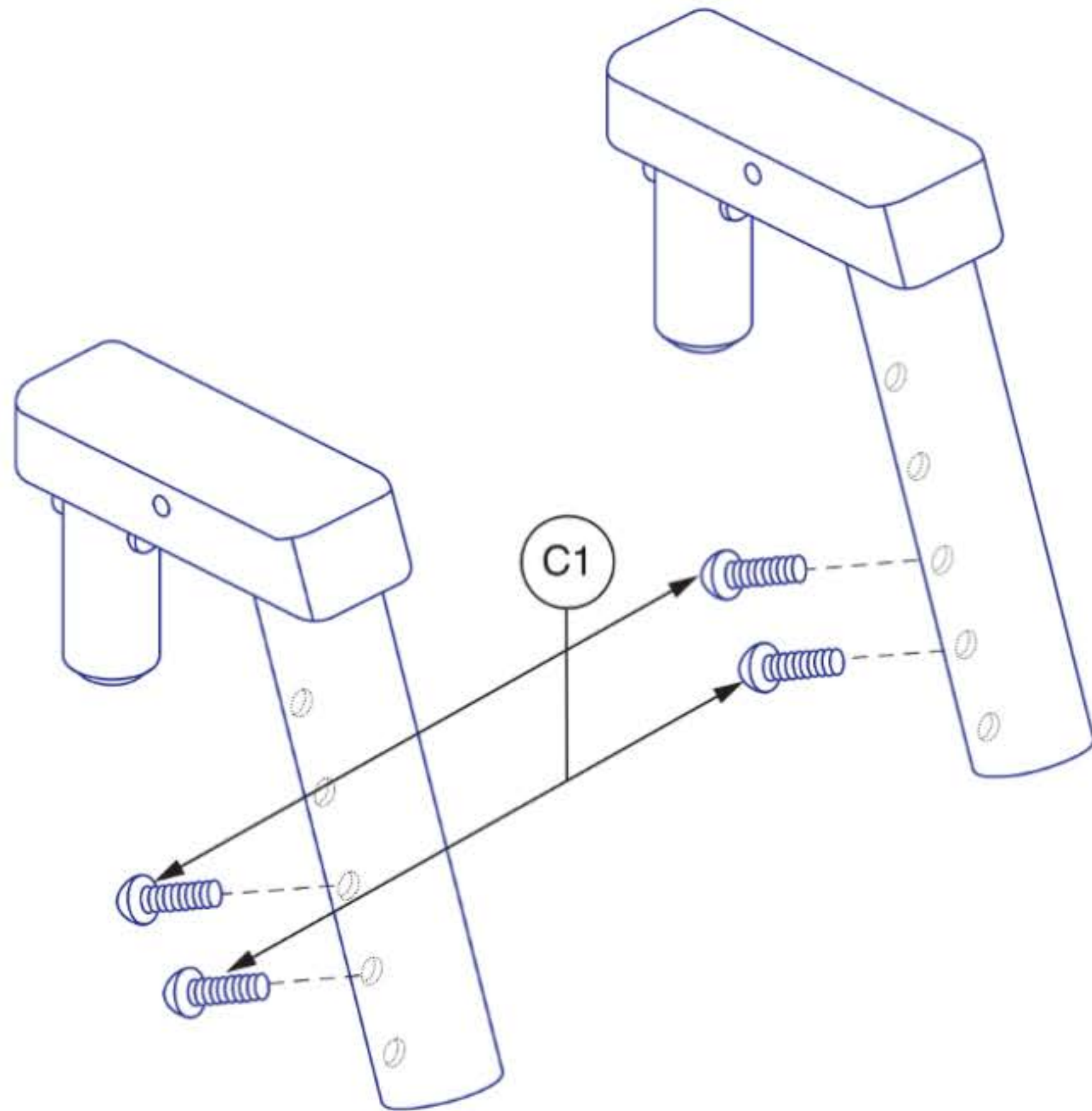


Used with 8.5" - 12" Extensions

Pair w/ Hardware

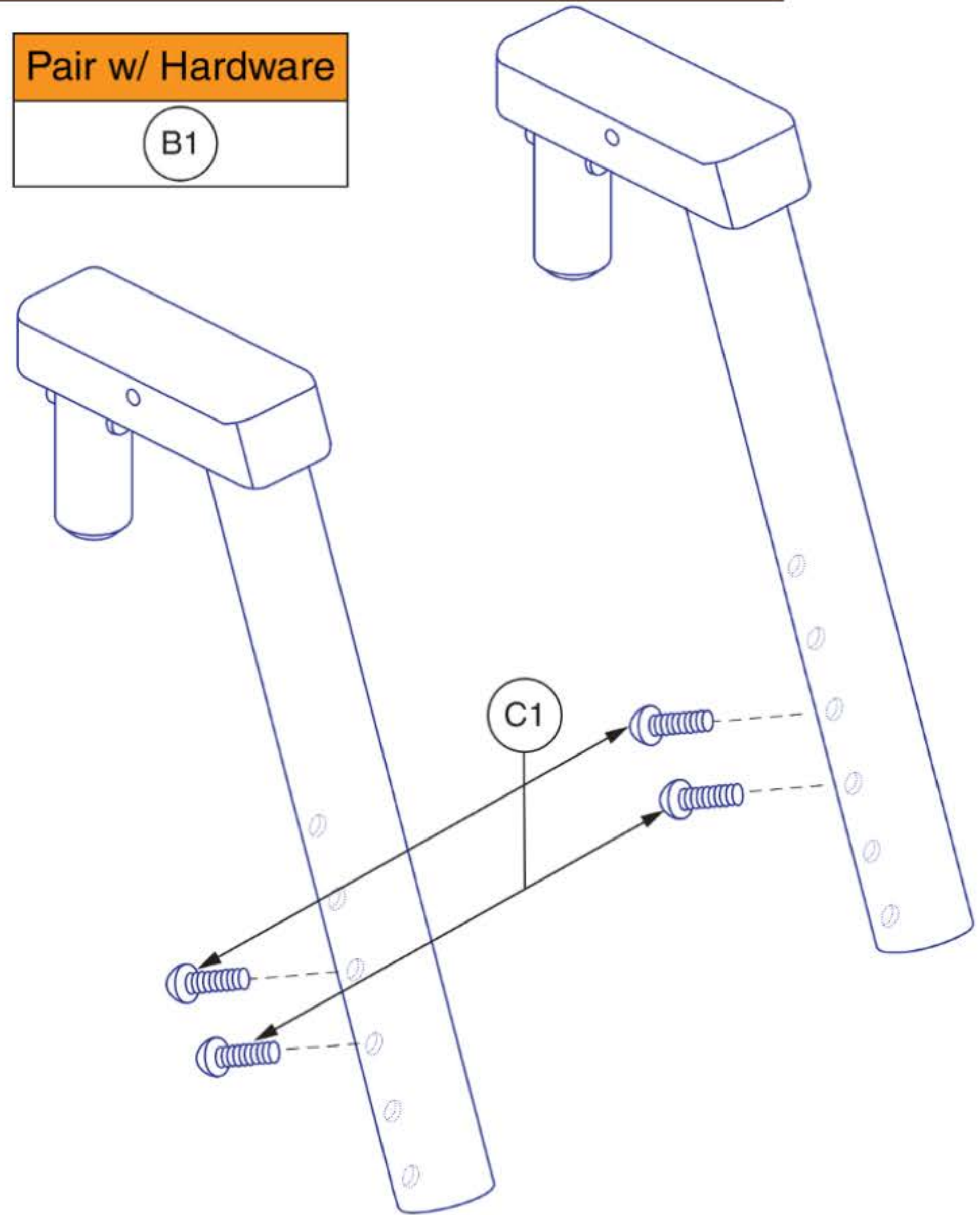
A1



Used with 13" - 18" and 16" - 21" Extensions

Pair w/ Hardware

B1



The hardware C1 is included with assemblies A1 and B1