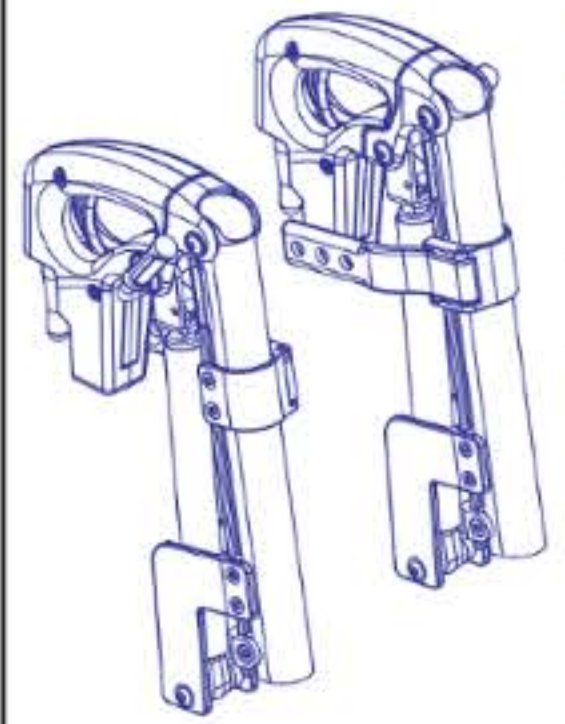
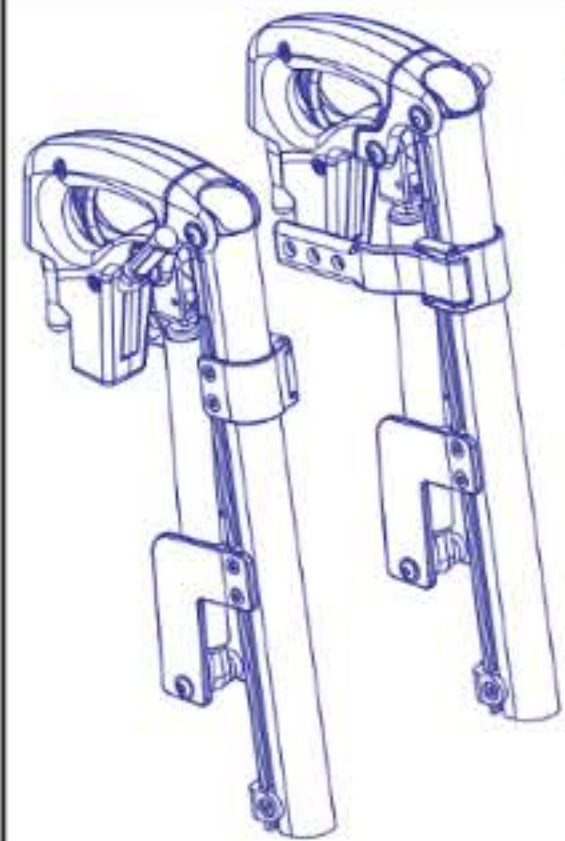


**Complete Upper Assemblies - Standard**



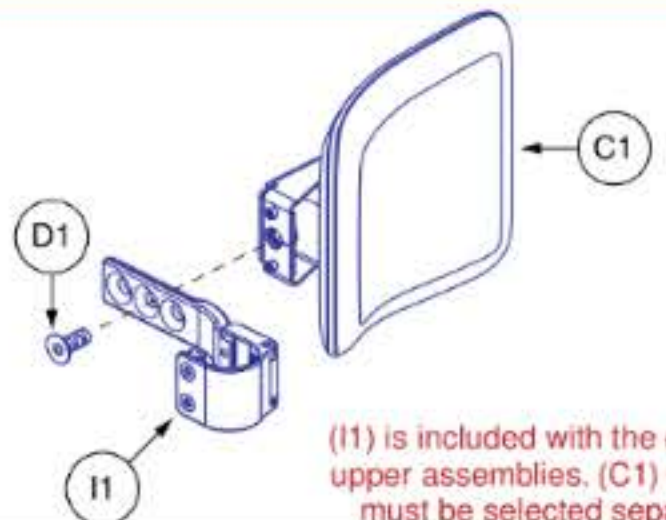
| Standard |       |
|----------|-------|
| (A1)     | Pair  |
| (A1a)    | Right |
| (A1b)    | Left  |

**Complete Upper Assemblies - Long**



| Long  |       |
|-------|-------|
| (B1)  | Pair  |
| (B1a) | Right |
| (B1b) | Left  |

**Calf Pad & Mounting Hardware**



(I1) is included with the complete upper assemblies. (C1) and (D1) must be selected separately.

**Lower Extension**



**ELR Lower Length Dimensions:**

- Standard Upper w/ Standard Lower: 23 cm - 39 cm
- Standard Upper w/ Long Lower: 33 cm - 44 cm
- Long Upper w/ Standard Lower: 23 cm - 39 cm
- Long Upper w/ Long Lower: 33 cm - 53 cm

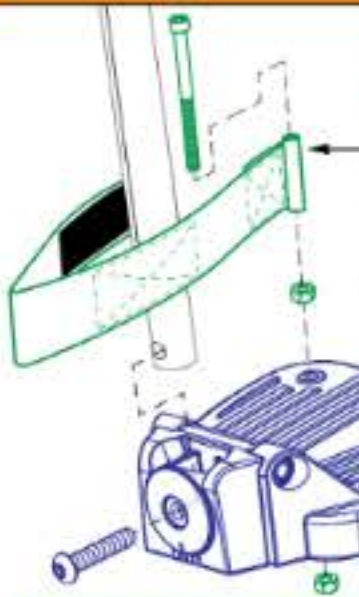
The dimensions shown represent the overall minimum / maximum lengths. The achievable legrest length depends on the powerchair configuration (i.e. power base, seating system, and seat to floor height).

| Standard |  |
|----------|--|
| (E1a)    |  |

| Long  |  |
|-------|--|
| (E1b) |  |

A quantity of 2 must be selected for the pair.

**Footplate & Heel Loops**



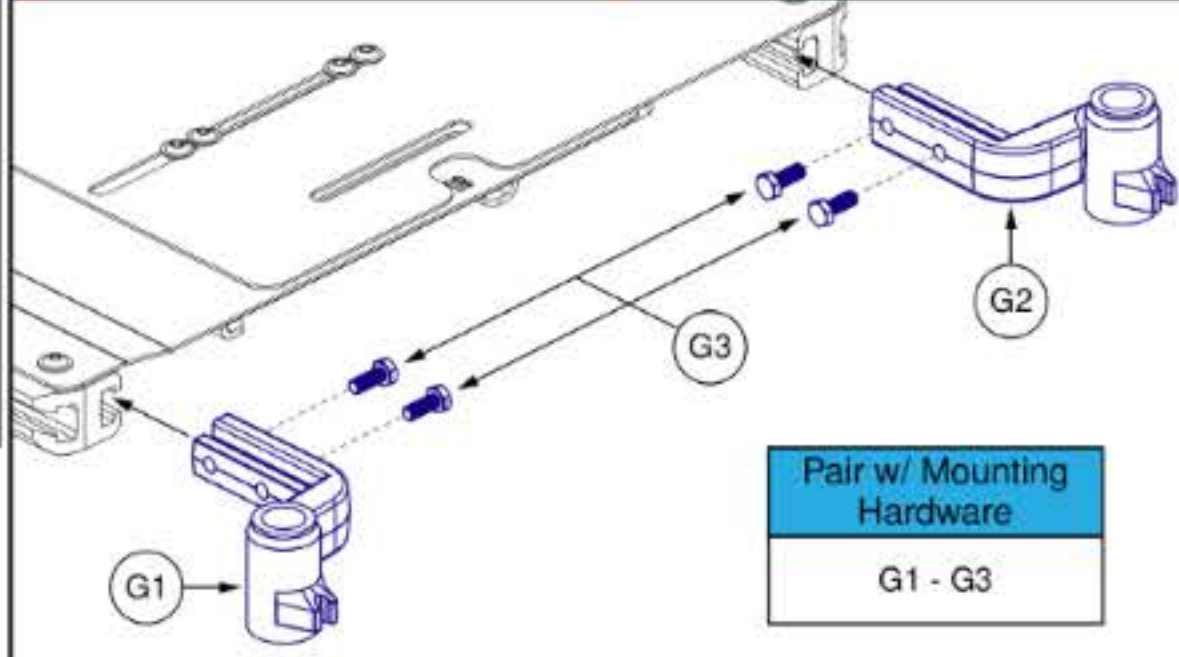
| Heel Loop w/ Hardware |       |
|-----------------------|-------|
| (H1a)                 | Right |
| (H1b)                 | Left  |

| Footplates (L / R) |                   |
|--------------------|-------------------|
| (F1a)              | 10.5 cm x 17.5 cm |
| (F1b)              | 12.4 cm x 17.5 cm |
| (F1c)              | 14.8 cm x 17.5 cm |

A quantity of 2 must be selected for the pair.

Note: The heel loops are not included with the footplate assemblies and must be selected separately if needed.

**Hangers**



| Pair w/ Mounting Hardware |  |
|---------------------------|--|
| G1 - G3                   |  |